

www.aovv.co.kr

# A-ONE

Automatic Valves  
Electric On/Off & Control Valves  
Pneumatic Actuator & Valves

## FLUID CONTROL SOLUTION



A - ONE AUTO VALVE



● Features

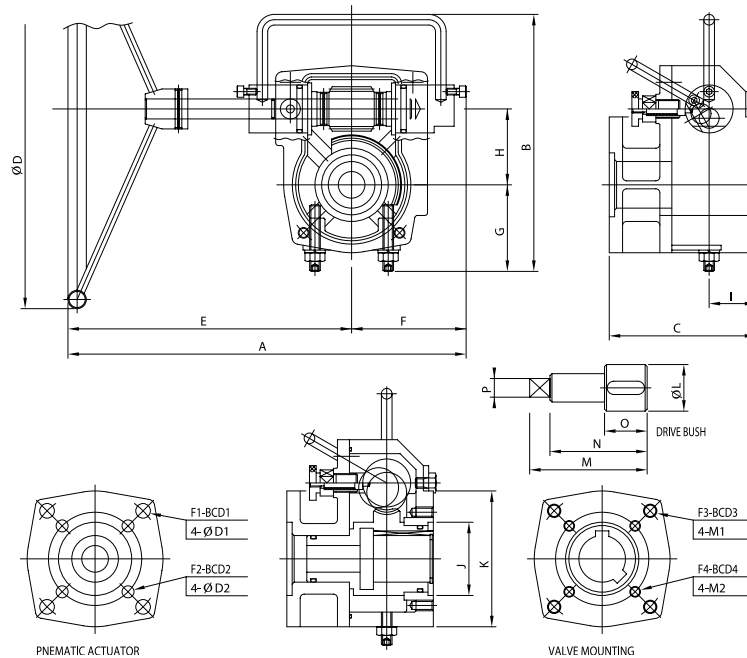
Direct Mounting  
High Power

● Specification

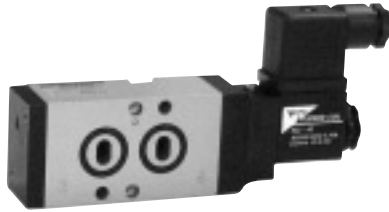
Model No.		ATG 050	ATG 060	ATG 080	ATG 090
MAX. OUTPUT TORQUE		500Nm	1000Nm	2000Nm	3000Nm
PNEUMATIC ACTUATOR MOUNTING FLANGE(ISO 5211)		F07 / F10	F10 / F12	F12(F14)	F14
REDUCTION RATIO		40:1	45:1	48:1	50:1
NUMBER OF TURNS 90°		10 TURN	11.3 TURN	12 TURN	13 TURN
AVAILABLE MAX. VALVE SHAFT	MAX. DIAMETER	22	32	40	50
	MAX. SQUARE	17	27	36	46
	MAX. TWO FLAT	17	27	36	46
HANDWHEEL DIAMETER		250	350	450	550
VALVE MOUNTING FLANGE(ISO 5211)		F 07 / F 10	F 10 / F 12	F 12(F14)	F16
WEIGHT		5.5kg	7.5kg	13.5kg	30kg
APPLICATION FOR PNEUMATIC ACTUATOR		AD50/65/80, AS50/65/80	AD100/125, AS100/125	AD140/160, AS140	AD200, AS160/AS200

( ) Option

● Dimension



DIM. Model	A	B	C	D	E	F	G	H	I	J	K	DRIVE BUSH					VALVE MOUNTING			PNEUMATIC ACTUATOR		
	L	M	N	O	P	F1/2	BCD1/2	4- D1/2	F3/4	BCD3/4	4-M1/2											
ATG 050	300	193	115	250	213	87	65	57	35	55	102	35	124	100	50	14X14	F07 F10	70 102	4- 9 4- 11	F07 F10	F70 F102	4-M8 4-M10
ATG 060	370	229	135	350	272	98	75	71	45	85	125	47	153	125	60	22X22	F10 F12	102 125	4- 11 4- 13	F10 F12	F102 F125	4-M10 4-M12
ATG 080	454	267	160	450	342	112	90	88	50	100	150	60	178	144	70	27X27	F12 (F14)	125 (140)	4- 13 (4- 17)	F12 (F14)	F125 (F140)	4-M12 (4-M16)
ATG 090	465	331	220	550	343	146	124	110	55	100	183	75	214	158	71	46X46	F14	140	4- 18	F16	160	4-M20

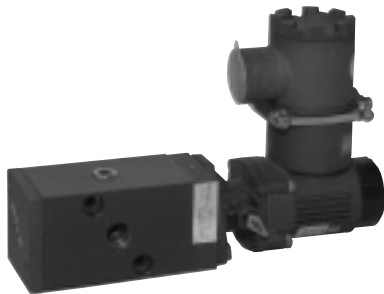


● **Features**

- 5 Port pilot type
- NAMUR interface
- Compact - light weight
- Mass flow - CV1.0
- Effective sectional area - 35.0mm<sup>2</sup>
- Excellent endurance

● **Specification**

Model	SN3101 (Single coil)	SN3201 (Double coil)
Enclosure	IP65	
Fluids	Air & Inter Gases	
Pressure (Bar)	1.5 ~ 10	2.0~10
Ambient Temperature	5 ~ 60	
Response Time	5c/sec	3c/sec
Lubrication	Not required	
Rated Voltage	AC110V, 220V (50/60Hz), DC24V	
Coil Insulation	- 10%	

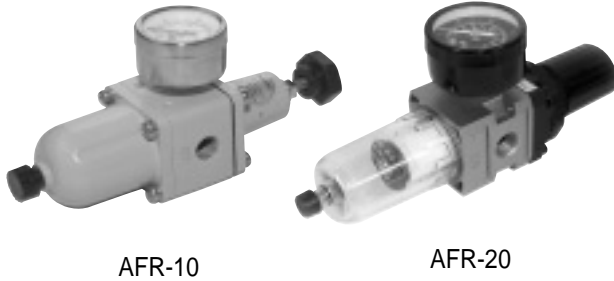


● **Features**

- 5 Port pilot type
- NAMUR interface
- Large flow capacity with compact design
- Easy maintenance
- Exd IIC T6 (IP65)

● **Specification**

Model	YT-700S(3port 2way)	YT-700D(5port 2way)
Enclosure	Exd IIC T6 , IP65	
Fluids	Air & Inter Gases	
Pressure (Bar)	0~4, 0~7	1.2 ~ 10
Ambient Temperature	-20 ~ 70	
CV	1.6, 3	0.75
Lubrication	Not required	
Rated Voltage	AC100V, AC220V(50/60Hz), DC24V	
Conduit Connection	1/2 PF	



AFR-10

AFR-20

### ● Features

- Compact design
- Pressure adjustment without a tool

### ● Specification

Model	AFR-10 (Metal Bowl)	AFR-20 (PC Bowl)
Max. Pressure	10.2kgf/cm <sup>2</sup>	
Fluids	Air & Inter Gase	
Filteration	5mm	
Ambient Temperature	5 ~ 70	
Set Pressure Range	0 ~ 8bar	
Drain Capacity (cm <sup>2</sup> )	12	
Port Size	1/4 PT	

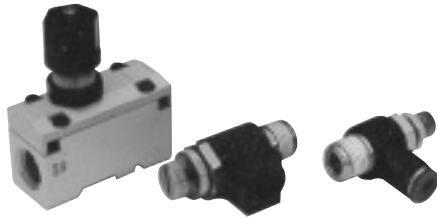


### ● Features

- Easy maintenance
- Simple SPAN and ZERO adjustments
- NAMUR mounting
- Simple structure for feedback connection
- Simple conversion to direct acting and reverse acting

### ● Specification

Model	EPR (Rotary type)	EPL (Linear type)
Enclosure	Exmd IIB T6, Exmd II C(H2) T6, IP66, Exia II BT6	
Fluids	Air	
Input Signal	4 ~ 20mA DC	
Split range Application	4~12 or 12~20mA	
Voltage Supply Min./Max.	8 Vdc / 30Vdc	
Linearity	< 1.0 %	
Hysteresis	< 0.5 %	
Sensitivity	< 0.5 %	
Operating Temperature	-20 ~ 80	
Air Piping Connection	1/4 PT	
Conduit Connection	1/2 PF	



## ● Features

The speed controller is installed on actuators such as cylinders and air motors and controls the operating speed of the actuator by adjusting the flow through the actuator.

## ● Specification

Model	FC Series		
	FC3-8	FC3G-8	FC1-8
Operating Pressure	0.5 ~ 15.3 kgf/cm <sup>2</sup>		
Fluids Temperature	5 ~ 60		
Operating Temperature	-10 ~ 60		
No. of Needle Rotations	14		10
Port Size	1/4 PT		



## ● Features

Mufflers are designed to attenuate the exhaust noise caused by control of pneumatic lines. In general, mufflers are mounted on the exhaust ports of solenoid valve, directional control valves and like, to reduce exhaust noise when direction is changed. This contributes to overall noise reduction in plants.

## ● Specification

Model	SL Series	
	ASC-8A	ASL-8A
Operating Pressure	0 ~ 10.07 kgf/cm <sup>2</sup>	
Fluids Temperature	5 ~ 60	
Operating Temperature	-10 ~ 60	
Noise	20dB	
Port Size	1/4 PT	
Material	Metal	
Function	Speed control + Suppression	Sound Suppression

# Limit Switch Box



**ALS Series**

# Limit Switch Box

Valve Position Indicator

# LIMIT SWITCH BOX

## Valve Position Indicator

Limit switch box indicator offers clear location of the current valve position by 2 mechanical switches

## Quick-Set Cam

The operating position of the switches can be easily changed by adjusting the high resolution spline cams manually and independently without the need for additional tools (Red Cam for Close, Yellow Cam for Open)

## Easy Wiring

ALS series are equipped with 2 standard conduit entries and 1 terminal strip with 8 point

## Dual Wire Conduit

ALS10 : Dual 1/2" Conduit Entries

ALS30 : Dual 3/4" Conduit Entries

## Easy Mounting Bracket

Any actuator for rotary motion can be easily mounted NAMUR bracket supplied for easy in mounting onto the actuator



ALS10  
WEATHERPROOF



ALS30  
EXPLOSION PROOF

## ● Ordering Number

Series	Area Classification	Switch Type
ALS	1: Weatherproof	0: 2 SPDT
	3: Explosion Proof	1: Proximity Sensor (PNP/NPN)
		2: 3 SPDT
		3: 4 SPDT (2 DPDT)

## ● Standard Materials of Construction

Area Classification	Material
Indicator Cover	Polycarbonate
Body	Die-Casting Aluminum
Shaft (Stem)	304 Stainless Steel
Mechanical Switch	PBT GP2306F
Seals	Nitrilic Rubber NBR
Cams	Polycarbonate
Spring	304 Stainless Steel
Cover Screws	304 Stainless Steel
Terminal Block	Polyamide 66

# LIMIT SWITCH BOX

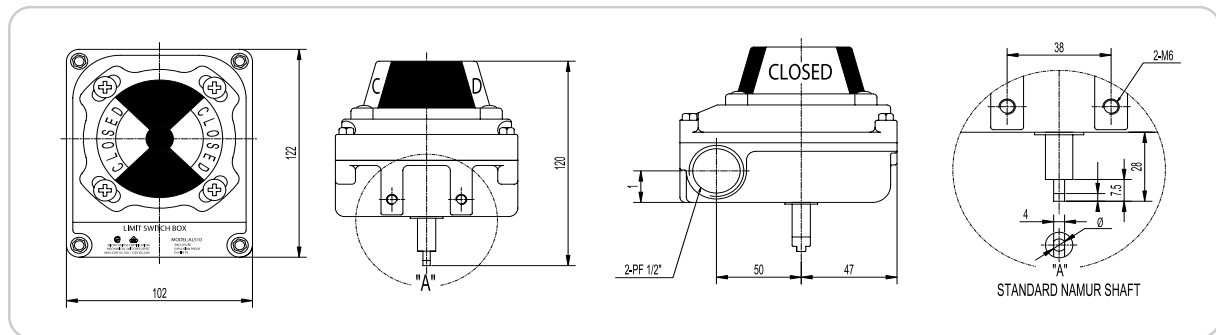
## ● Specification

Description	Series	
Model	ALS10	ALS30
Ambient Temperature	-20°C to 85°C (-4°F to 185°F)	
Cable Entry	2 1/2" PF (PT) (NPT) (M20 1P/1.5P)	2 3/4" PF (PT) (NPT)
Terminal Block	8 Points	
Position Indicator	0° to 90° (Red for Close / Yellow for Open)	
Switch Type	2 SPDT Mechanical Switches (Proximity Sensors)	
Painting	Polyester Powder Coating with Black Color	
Bracket	Plastic / Steel	
Certificate	IP67	Exd IIC T6 (IP66)

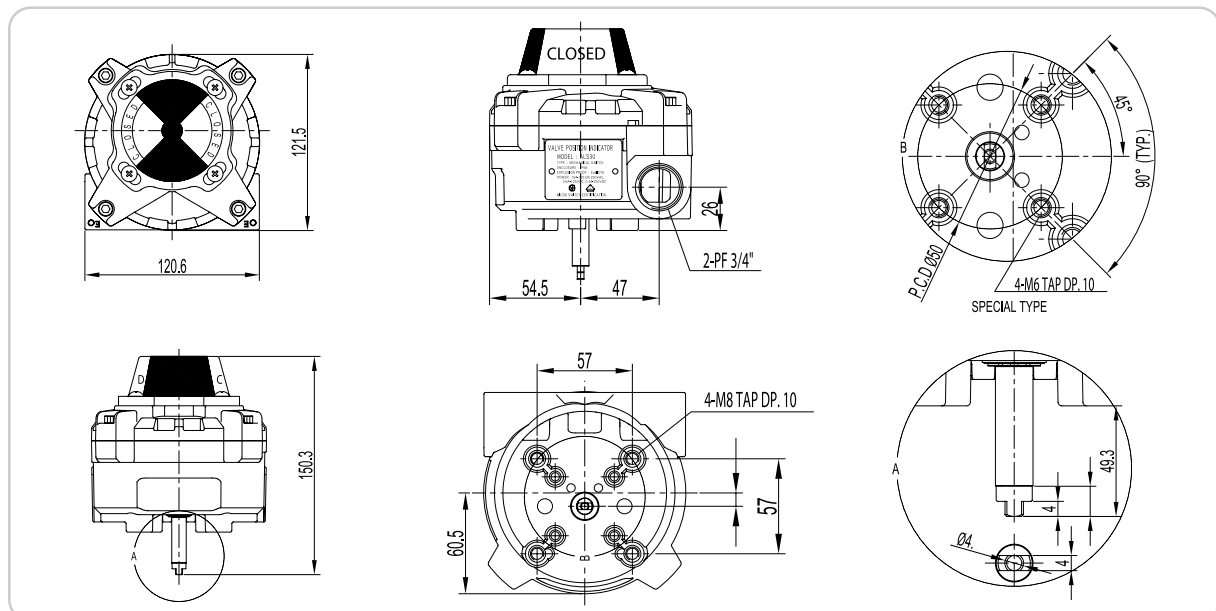
\* ( ) option

## ● Dimension

### ALS10 Weatherprof



### ALS30 Explosion Proof













# LIMIT SWITCH BOX

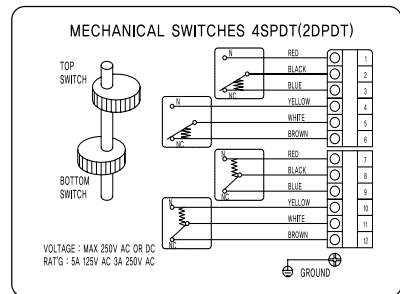
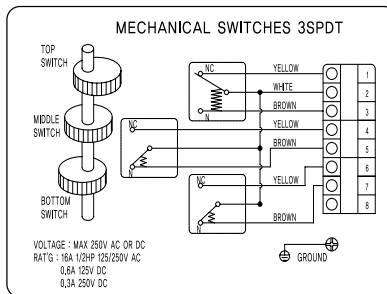
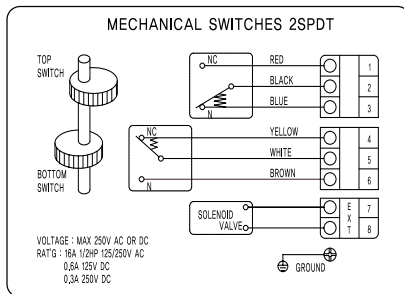
## ● Mounting Bracket

1 Namur standard bracket is supplied together with 1 limit switch box as standard

Bracket	Model	Material	Size	Bracket	Model	Material	Size
	P1 (ALS10)	Plastic (ABS)	30 80 H:20		S4 (ALS30)	Steel	30 80 H:30
	S1 (ALS10)	Steel	30 38 H:20~30		A1 (ALS30)	Aluminium	30 80 H:20
	S2 (ALS30)	Steel	30 80 H:20		A2 (ALS30)	Aluminium	30 80 H:30
	S3 (ALS30)	Steel	30 130 H:30		A3 (ALS30)	Aluminium	30 130 H:30

## ● Wiring Diagram

Mechanical Switch Type (UL CSA VDE Approved)



Proximity Sensor Type (UL CE Approved)

