

www.aovv.co.kr

# A-ONE

Automatic Valves  
Electric On/Off & Control Valves  
Pneumatic Actuator & Valves

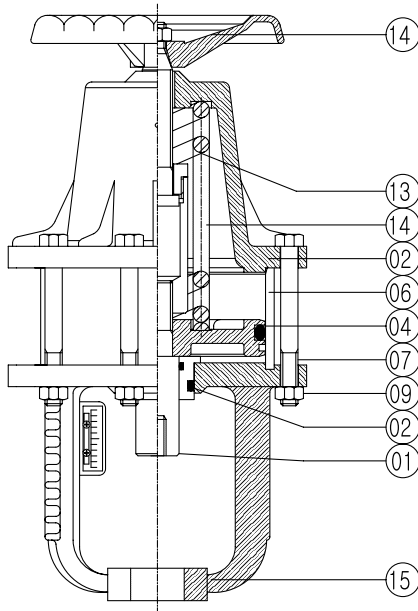
## FLUID CONTROL SOLUTION



A-ONE AUTO VALVE

# PNEUMATIC LINEAR ACTUATOR

LINEAR ACTUATOR / PISTON TYPE



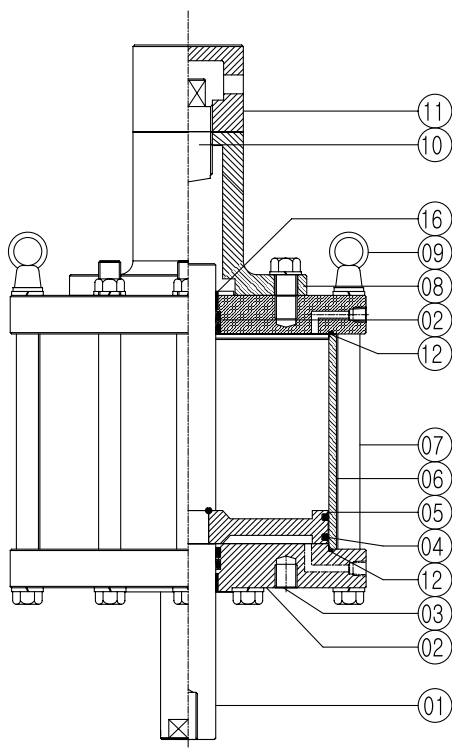
AOLC-80 / 120 / 150

## ● Application

- High pressure globe Valve
- High pressure gate Valve
- Knife Gate Valve
- Y-Type Valve
- Tank Bottom Flush Valve
- Diaphragm Valve

## ● Option

- Tap hand Wheel
- Worm Gear Box Hand Wheel
- Spring Return
- Fail Position Close & Open
- Quick Speed Control
- Long Stroke Valve
- Dual Action Type



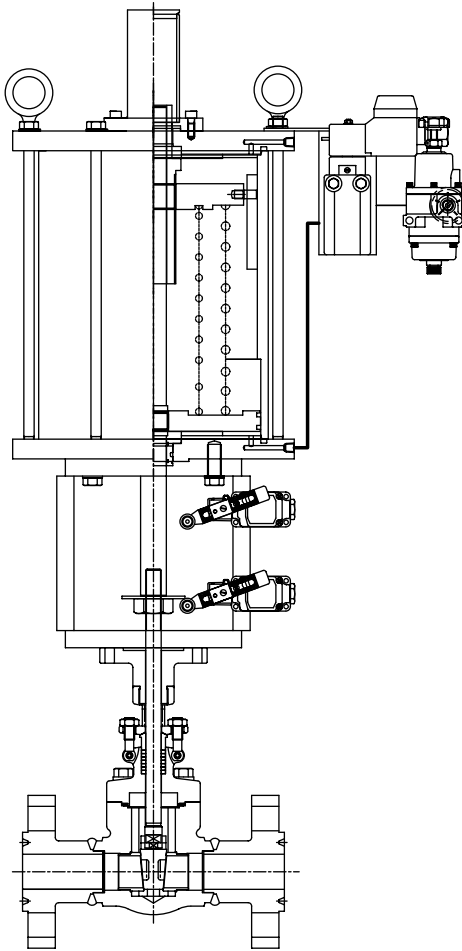
AOLC-200 / 250 / 300 / 350 / 400

## ● Part List

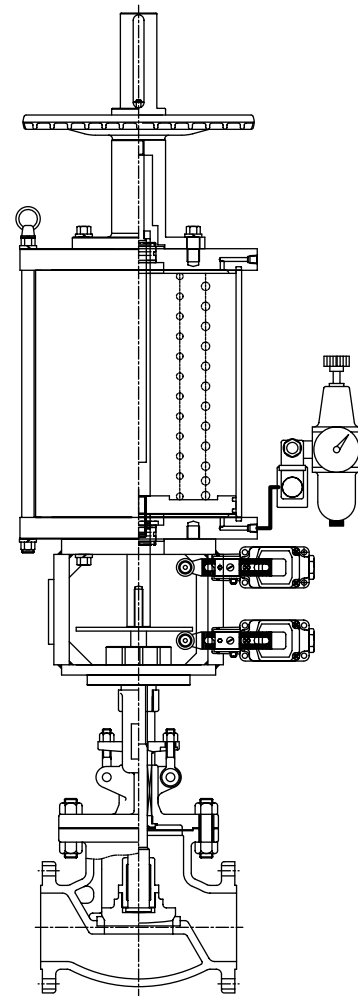
16	BUSHING
15	YOKE
14	HAND WHEEL
13	SPRING
12	SPRING HOUSING
11	ADJUST COVER
10	ADJUST BOLT
9	TIE NUT
8	ADJUST COVER
7	TIE ROD
6	TUBE
5	PISTON
4	PISTON PACKING
3	PACKING
2	COVER
1	ROD
NO	DESCRIPTIONS

### ● Application

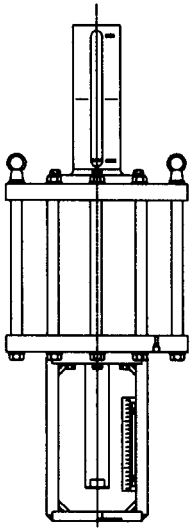
- High Pressure Globe Valve(150# ~1500#)
- High Pressure Gate Valve(150#~1500#)
- Knife Gate Valve
- Y-Type Valve
- Tank Bottom Flush Valve
- Diaphragm Valve



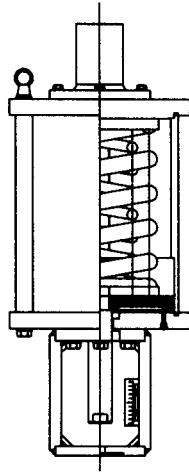
GATE VALVE



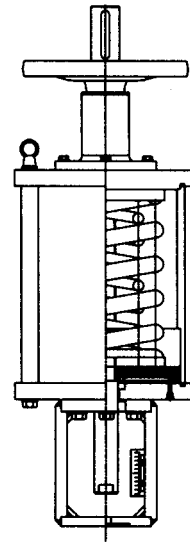
GLOBE VALVE



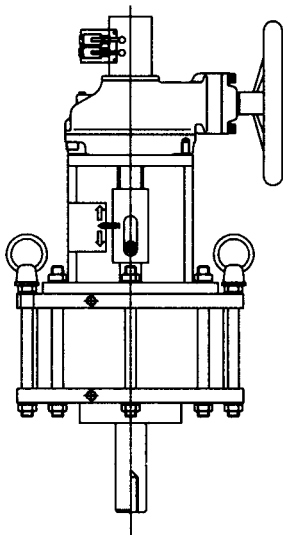
Long Stroke Valve



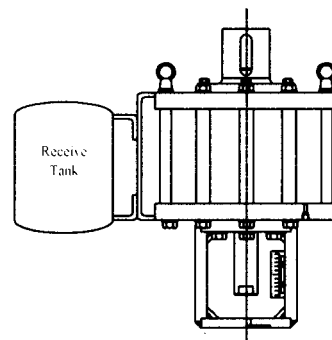
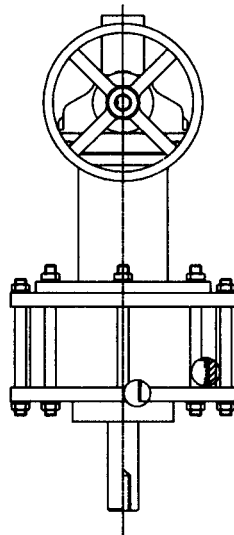
Spring Return



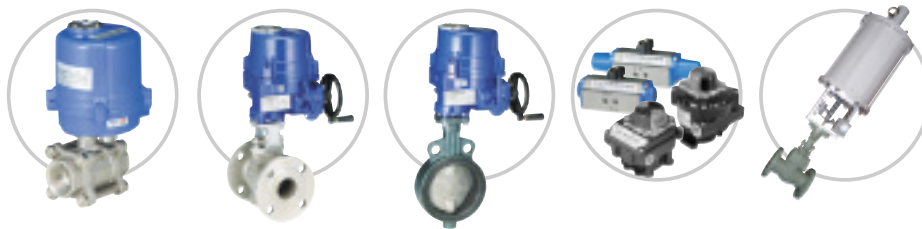
Tap Hand Wheel



Worm Gear Box Hand Wheel



Fail Position(Double)



## A-ONE AUTO VALVE

2121 Jeongwang-dong, Siheung-si  
Gyeonggi-do 429-793, Korea  
TEL : **82-31-8041-1979**  
FAX : 82-31-8041-1975  
<http://www.aovv.co.kr>  
Email: [aonevalve@empal.com](mailto:aonevalve@empal.com)

@ 2008 Year (No.1)

※ The product is subject to change for technical development and quality improvement without prior notice.